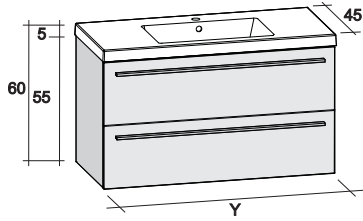
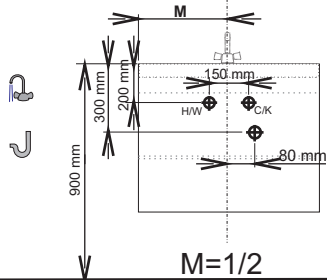


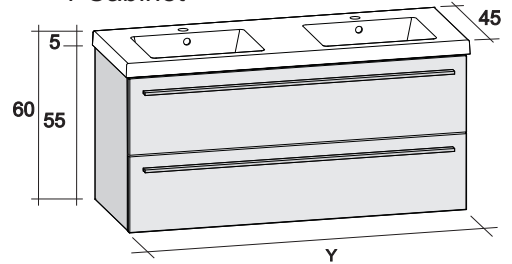
1 Tap hole
1 Cabinet



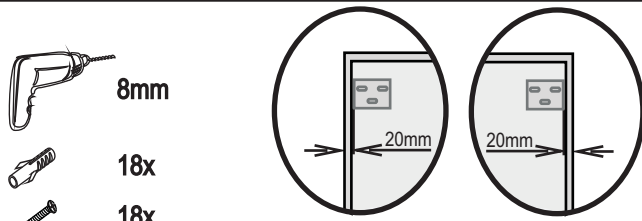
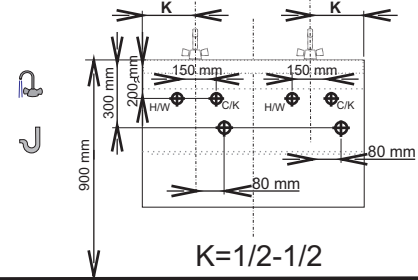
Y= 600-800-1000mm



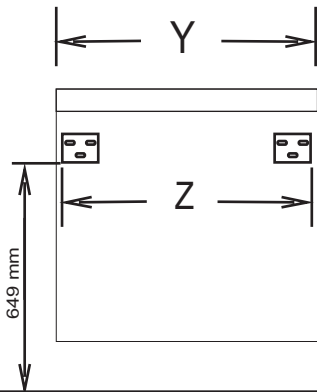
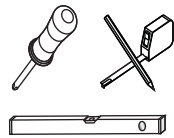
2 Tap holes
1 Cabinet



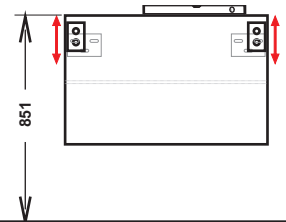
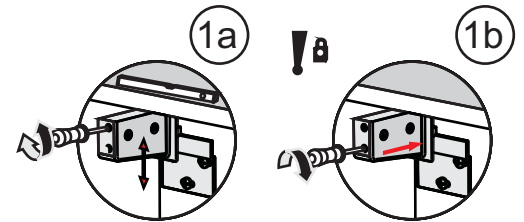
Y= 1200mm



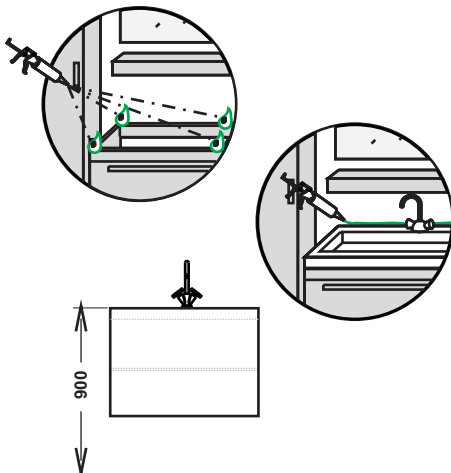
2 DRAWERS



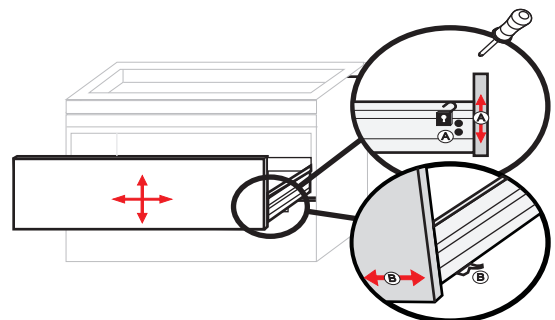
Y	Z
600	560
800	760
1000	960
1200	1160



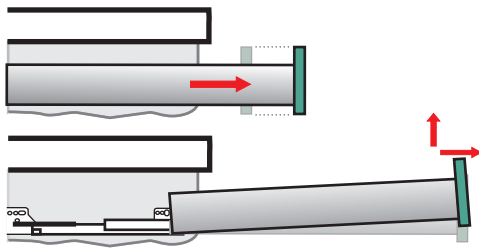
2



3



OUT



IN

